



VSG 4210

VSG B2

Ball valves for Gas

VSG 4210 VSG B2

Ball valves for gas

Contents

Description.....	2
Features.....	2
Technical specifications.....	3
Ordering information.....	5
Standards and approvals.....	6

Description

Valves are made of brass (VSG 4210 type) or ductile iron (VSG B2 type), with wide range of connections from DN8 up to DN250, operated by manual lever.

Features

VSG are full bore and are designed to comply with European regulation EN331 covering gas ball valves (VSG 4210 type) and EN13774 (VSG B2 type) .

Suitable for non-aggressive gases (families 1-2-3 EN437). Special versions are available for use with aggressive gases.

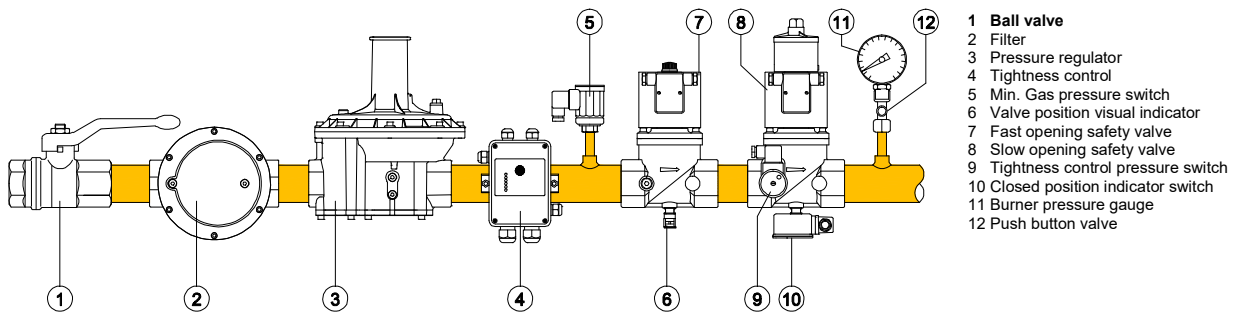


Fig. 1



WARNING

This device shall be installed in accordance with the laws in force.

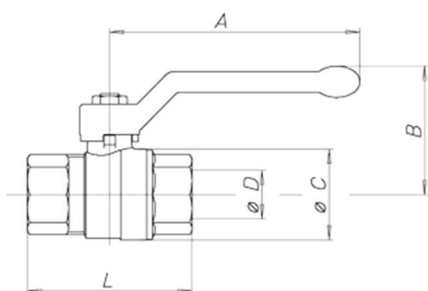
Technical specifications

Tab. 1

	4210	B2
Connections	Internal thread from Rp3/8 up to Rp2 according to ISO 7-1	From DN15 up to DN250 flanged according to EN 1092 PN16
Rotation angle	0 / 90°	0 / 90°
Temperature range	-15°C / +60°C	-10°C / +70°C
Media type	Air and non-aggressive gases according EN 437	Air and non-aggressive gases according EN 437
Operating pressure	MOP5	Between Flanges 16 bar DN15-200; 10 bar DN250 End of Line 10 bar DN15-100; NO DN125-250
Materials in contact with fluid	Brass PTFE NBR Stainless steel Aluminium	EN GJS 400-15 Brass CuZn40Pb2 chrome plated AISI 304 / AISI 316 PTFE and reinforced PTFE NBR /FKM (Viton®)

VSG 4210

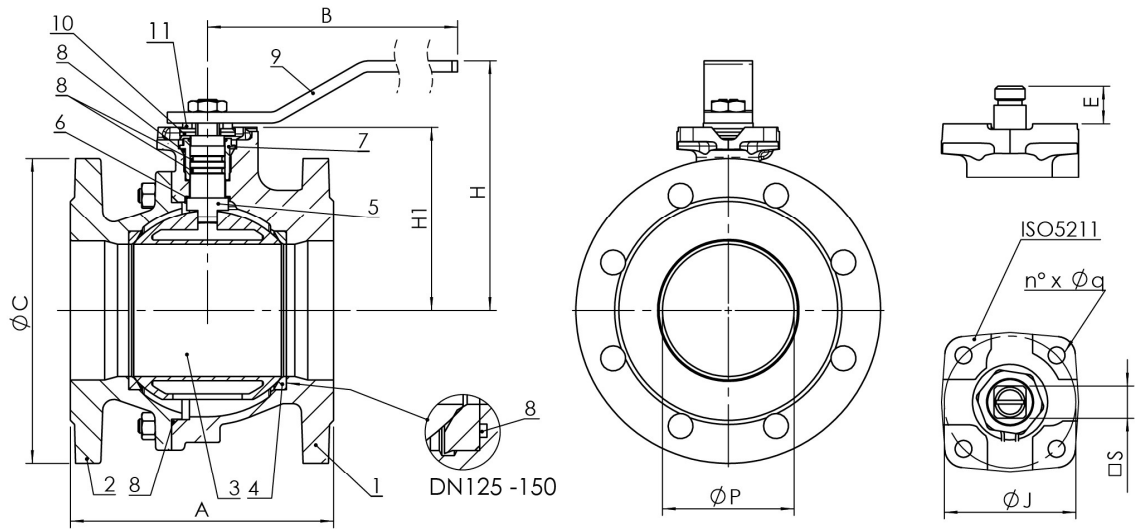
Tab. 2



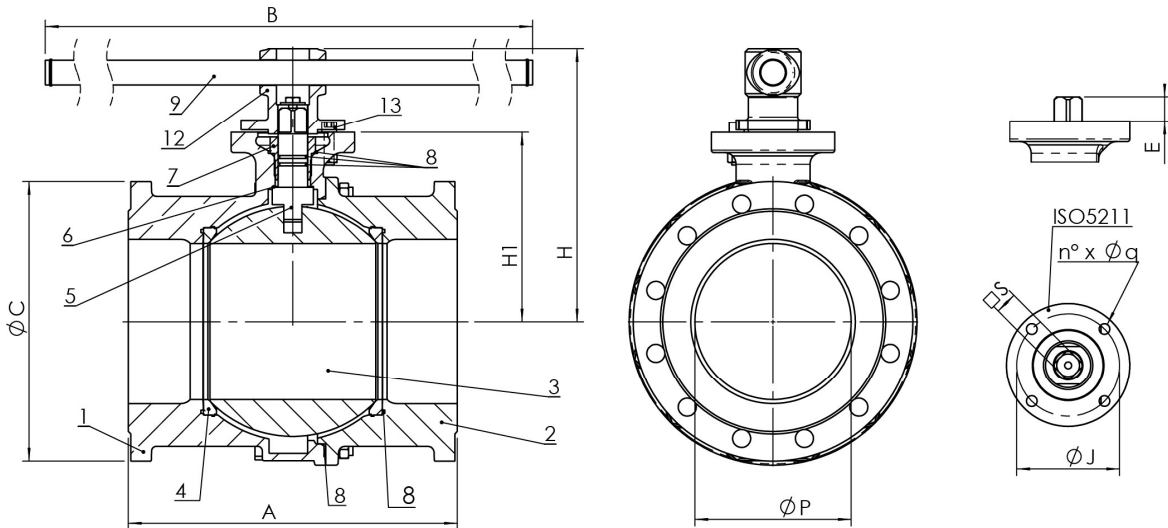
VSG 4210							
Connections	Overall dimensions						Weight [Kg]
	[mm]						
	Ø D bore	A	B	Ø C	F/F – L	M/F – L	
Rp 3/8	10	85	42	24	50	54	0,13
Rp 1/2	15	85	46	30	61	67	0,18
Rp 3/4	20	105	53	38	70	78	0,31
Rp 1	25	105	57	46	84	89	0,45
Rp 1¼	32	130	70	58	98	103	0,75
Rp 1½	40	130	70	58	98	103	1,12
Rp 2	50	165	92	86	130	136	1,85

VSG B2

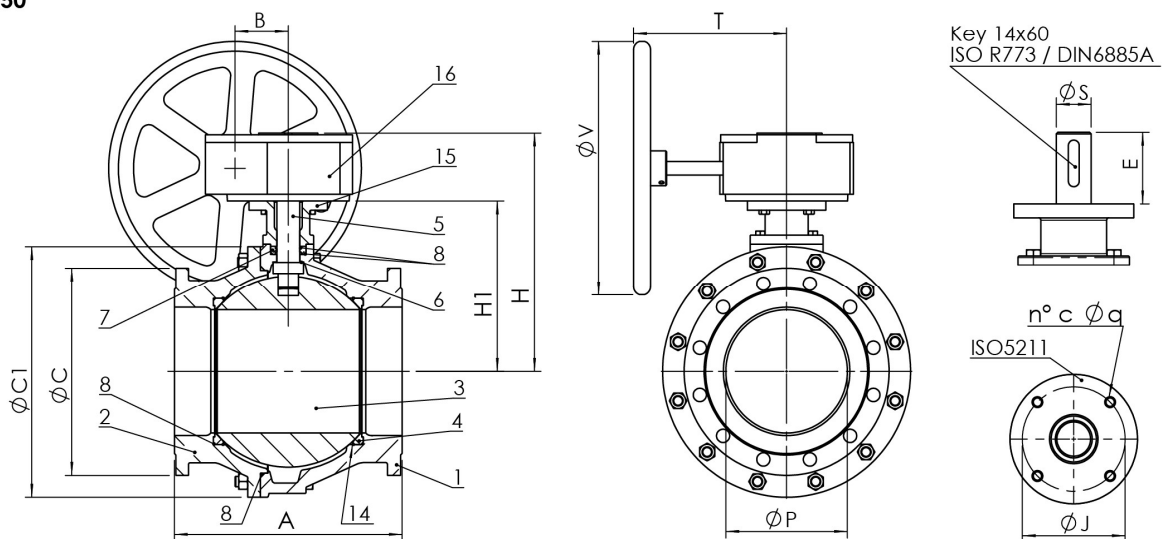
DN15 -150



DN200



DN250



Tab. 3

VSG B2															
Connections	Overall dimensions														Weight [Kg]
	[mm]														
	P	A(B2.1)*	H	H1	B	C **	C1	V	T	ISO 5211	J	n° x Ø q	E	S	
DN 15	15	115	84	50,5	160	95	-	-	-	F04	42	4 x 6	11,5	□ 9	2,6
DN 20	20	120	84	52	160	105	-	-	-	F04	42	4 x 6	11,5	□ 9	3,3
DN 25	25	125	96	59	170	115	-	-	-	F04	42	4 x 6	14,5	□ 11	4,2
DN 32	32	130	101	64	170	140	-	-	-	F04	42	4 x 6	15,5	□ 11	5,8
DN 40	40	140	125	78,5	230	150	-	-	-	F05	50	4 x 7	17,5	□ 14	7,5
DN 50	50	150	135	87	230	165	-	-	-	F05	50	4 x 7	17,5	□ 14	9
DN 65	63	170	143	95	230	185	-	-	-	F05	50	4 x 9	17,5	□ 14	10,5
DN 80	76	180	165	118	280	200	-	-	-	F07	70	4 x 9	20	□ 17	15,5
DN 100	95	190	180	132,5	360	220	-	-	-	F07	70	4 x 11	20	□ 17	18,5
DN 125	120	200	225	165	450	250	-	-	-	F10	10 2	4 x 11	24,5	□ 22	28
DN 150	145	210	243	182,5	560	285	-	-	-	F10	10 2	4 x 13	24,5	□ 22	38,5
DN 200	190	-	320	230	1000	340	-	-	-	F12	12 5	4 x 13	27	□ 27	93
DN 250	240	-	448	335	101	405	490	500	284	F12	12 5	4 x 13	92	Ø 45	180

* EN 558/1 – 14 (ex DIN 3202 F4)

** EN1092/2 PN16

Ordering information

Tab. 4

Connections		VSG 4210	VSG B2
Threaded	Rp 3/8"	VSG4210.0	
	Rp 1/2"	VSG4210.1	
	Rp 3/4"	VSG4210.2	
	Rp 1"	VSG4210.3	
	Rp1"1/4	VSG4210.35	
	Rp 1"1/2	VSG4210.4	
Flanged	Rp 2"	VSG4210.6	
	DN 15		VSGB2.1
	DN 20		VSGB2.2
	DN 25		VSGB2.3
	DN 32		VSGB2.35
	DN 40		VSGB2.4
	DN 50		VSGB2.6
	DN 65		VSGB2.7
	DN 80		VSGB2.8
	DN 100		VSGB2.9
	DN 125		VSGB2.93
	DN 150		VSGB2.95
	DN 200		VSGB2.98
DN 250		VSGB2.910	

Standards and approvals

VSG 4210 type are comply with:

- 97/23/CE PED
- EN331
- DVGW certification for gas

VSG B2 type are comply with:

- 97/23/CE PED
- EN 13774
- DVGW certification for gas

Recommendations

STORING

Keep in a dry and closed place.

While stored, the valve must be fully open to avoid damage to the seats.

MAINTENANCE

It is recommended that the rubber O-rings be replaced at least every 24 months, and the PTFE seats, at least every 48 months.

The period of replacement depends on the use of the valve.

Clean the surface of the valve periodically, in order to prevent the accumulation of dust.

RECOMMENDATIONS

Before carrying out maintenance, or dismantling the valve, be sure that the pipes, valves and liquids have cooled down, that the pressure has decreased and that the lines and pipes have been drained in case of toxic, corrosive, inflammable or caustic liquids.

Temperatures above 50°C and below 0°C might cause damage to people.

Elektrogas is a brand name of:

Elettromeccanica Delta S.p.A.
Via Trieste 132
31030 Arcade (TV) – ITALY

tel +39 0422 874068
fax +39 0422 874048
www.delta-elektrogas.com
info@delta-elektrogas.com

Copyright © 2016
All rights reserved

The information in this document contains general descriptions of technical options available and based on current specifications.

The company reserves the right to make changes in specifications and models as design improvements are introduced, without prior notice.